



Pendant

CLARIS Evo

Individual and Straight Runs

- Four by six color combinations
- Choice of louver finishes for different visual tasks
- UGR < 16
- Soft edge prismatic (SEP) with gentle rounded micro-prisms for reduced luminance levels at all viewing angles
- Wireless dimming via Bluetooth
- Efficacy up to 129 lm/W

DELIVERED LUMENS	COLOR TEMPERATURE	COLOR RENDERING	WATTS	UGR
1100 lm/ft	3000 K 3500 K 4000 K (MacAdam 3 Step)	CRI 80+	8.5 W/ft	< 16



Fixture Order Code

1	2	3	8	5	6	7	U	9	10	11	12	13
1 FIXTURE	CEVI Individual CEVR Run											
2 LENGTH	004 4 Foot 008 8 Foot ¹ XXX Run Length ²											
3 MOUNTING	PA 70" Cable PB 157" Cable											
4 CRI	8 80 CRI											
5 CCT	30 3000 K 35 3500 K 40 4000 K											
6 REFLECTOR FINISH	WM White Matte WG White Gloss BM Black Matte BG Black Gloss SM Silver Matte SG Silver Gloss											
7 HOUSING FINISH	WH White BK Black SR Silver BZ Bronze											
8 DRIVER	U 0-10V, 1%, 120V/277V											
9 CONTROL OPTIONS	N None W Wireless											
10 REMOTE EM OPTIONS*	EMT Remote Emergency Pack, T-Grid Ceiling EMF Remote Emergency Pack, Inaccessible Ceiling EMC Emergency Circuit											
11 EM START	1 EM Start 0 None											
12 EM MID	X Quantity (from 1-9) 0 None											
13 EM END	1 EM End 0 None											

1 Available as individual length only

2 Specified run lengths must be divisible by 4

* Continue with part code if emergency options are required. For EM requirements and placements on the runs, please consult factory.

Feed Canopy Suspension Kit Order Code

SUS	2	3	4	5	6
1 SUSPENSION	SUS Suspension Kit				
2 MOUNTING	070 70" Cable 157 157" Cable				
3 CANOPY TYPE	ST Standard DP Deep ¹ DE Deep Conduit End ¹ DL Deep Conduit 'L' ¹ DS Deep Conduit Straight ¹ DT Deep Conduit 'T' ¹				
4 CANOPY	1J5 Single Point J-Box 5" 1T5 Single Point T-Bar 5"				
5 FEED	SF Single Feed DF Dual Feed				
6 COLOR	B Black S Silver W White				

1 Only available on J5 without EM

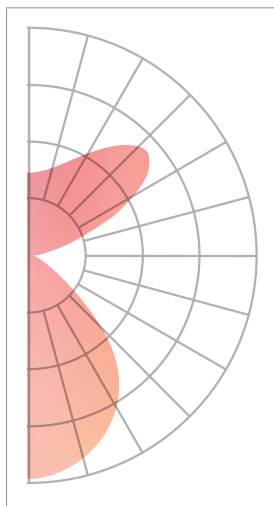
Non-Feed Canopy Suspension Kit Order Code

SUS	2	ST	4	NF	6
1 SUSPENSION	SUS Suspension Kit				
2 MOUNTING	070 70" Cable 157 157" Cable				
3 CANOPY TYPE	ST Standard				
4 CANOPY	1S1 Single Point Structure 1" ¹ 1T2 Single Point T-Grid 2" ²				
5 FEED	NF No Feed				
6 COLOR	B Black S Silver W White				

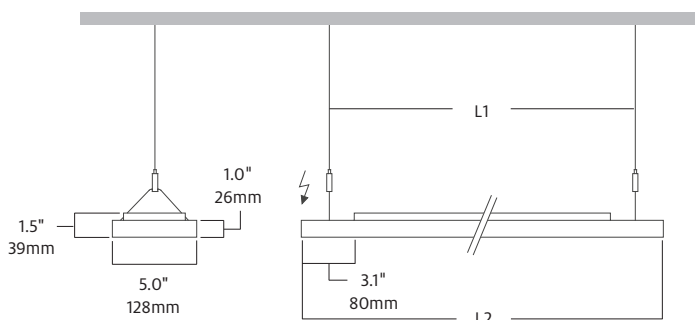
1 Works with 1J5 Feed

2 Works with 1T5 Feed

Optical Performance



Dimensions



L1	47.0" (1195mm)	94.3" (2395mm)
L2	50.4" (1280mm)	97.6" (2480mm)

— Average Luminance cd/m^2 —

Vertical Angle	Horizontal Angle 0°
0	13450
45	8105
55	4345
65	2049
75	730
85	786

Technical Detail

1) Construction: Luminaire housing of extruded aluminum section, powder coated with visible side height of 1", concealed screw-fastened diecast aluminum end pieces. Rear cover made of sheet steel, powder-coated white for maximum efficiency. Luminaire wired with halogen-free leads. Closed optical system with protective covers on LED modules to prevent damage from electrostatic discharge.

2) Wattage and CCT: Fixture is available with lumen packages of 1100 lm/ft. Wattage is 8.5W/ft. Available in 3000 K, 3500 K or 4000 K color temperatures with 80+ CRI. 3-Step MacAdam Ellipse.

3) Dimming: The unit is available with standard 120/277V 0-10V dimming driver (1%). For non-dimming applications a 0-10V driver will

be provided, cap off the two control wires and connect the hot/neutral and ground as normal.

4) Optic/Lens: Light control and glare reduction of the direct light component via light chamber system with prismatic light emission surface in various finishes. Wide light distribution of the indirect component via an extruded lens profile for homogeneous resolving of light points (from a suspension height of 12") on the ceiling.

5) Mounting: External suspension points, adjustable to plus/minus 1". Canopy is matte white.

6) Length: The fixture can be ordered as either individual 4' and 8' lengths. Continuous run lengths available and built using 4' length unit.

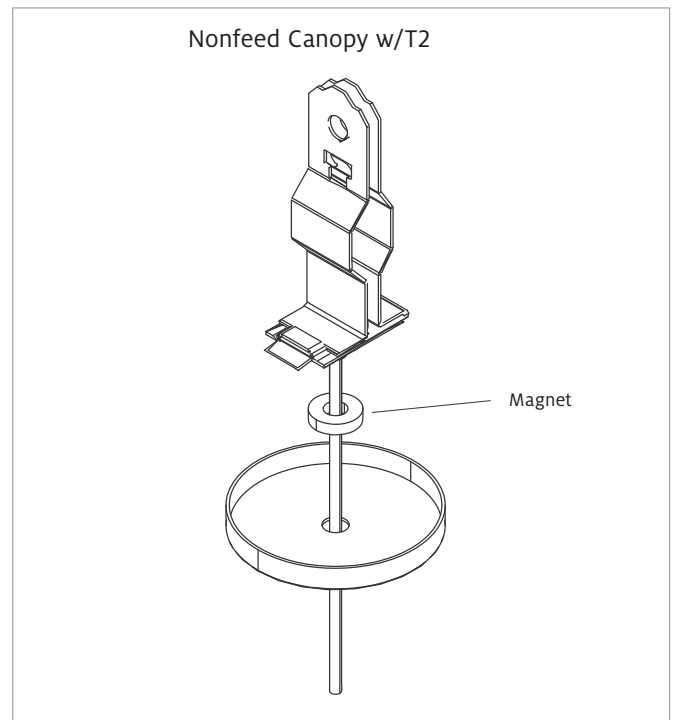
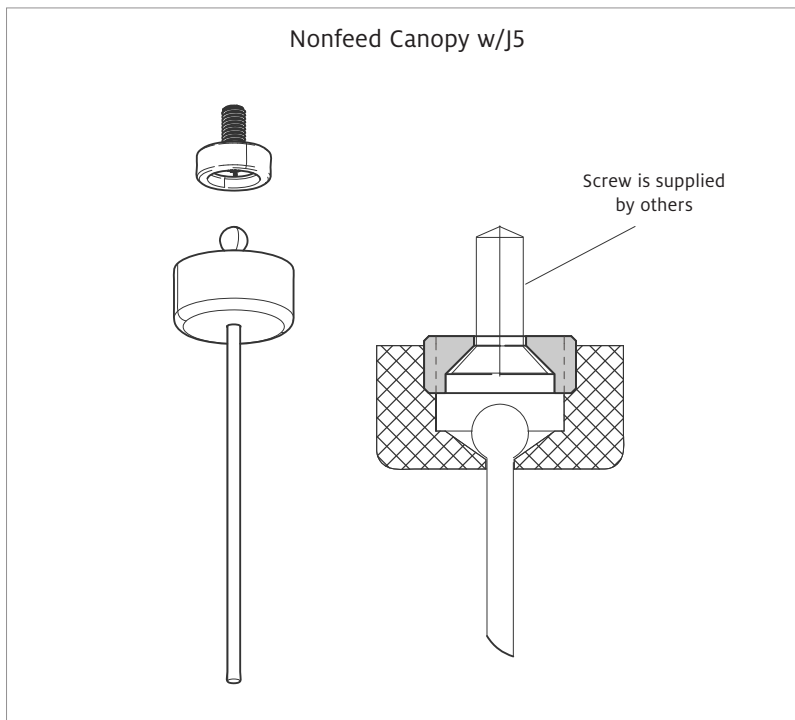
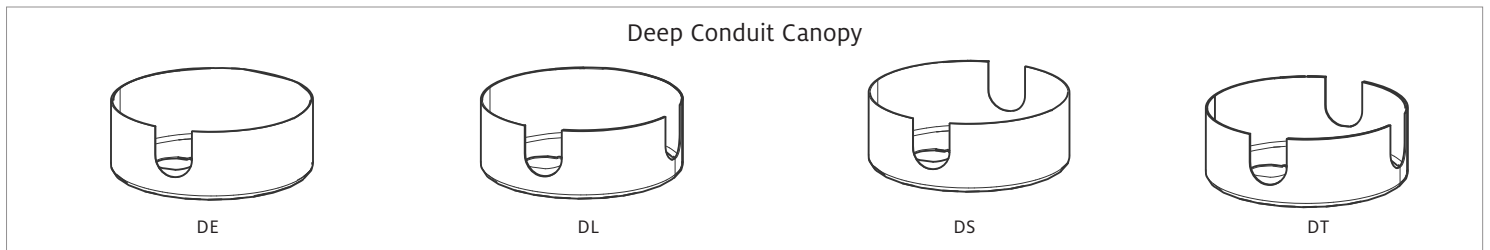
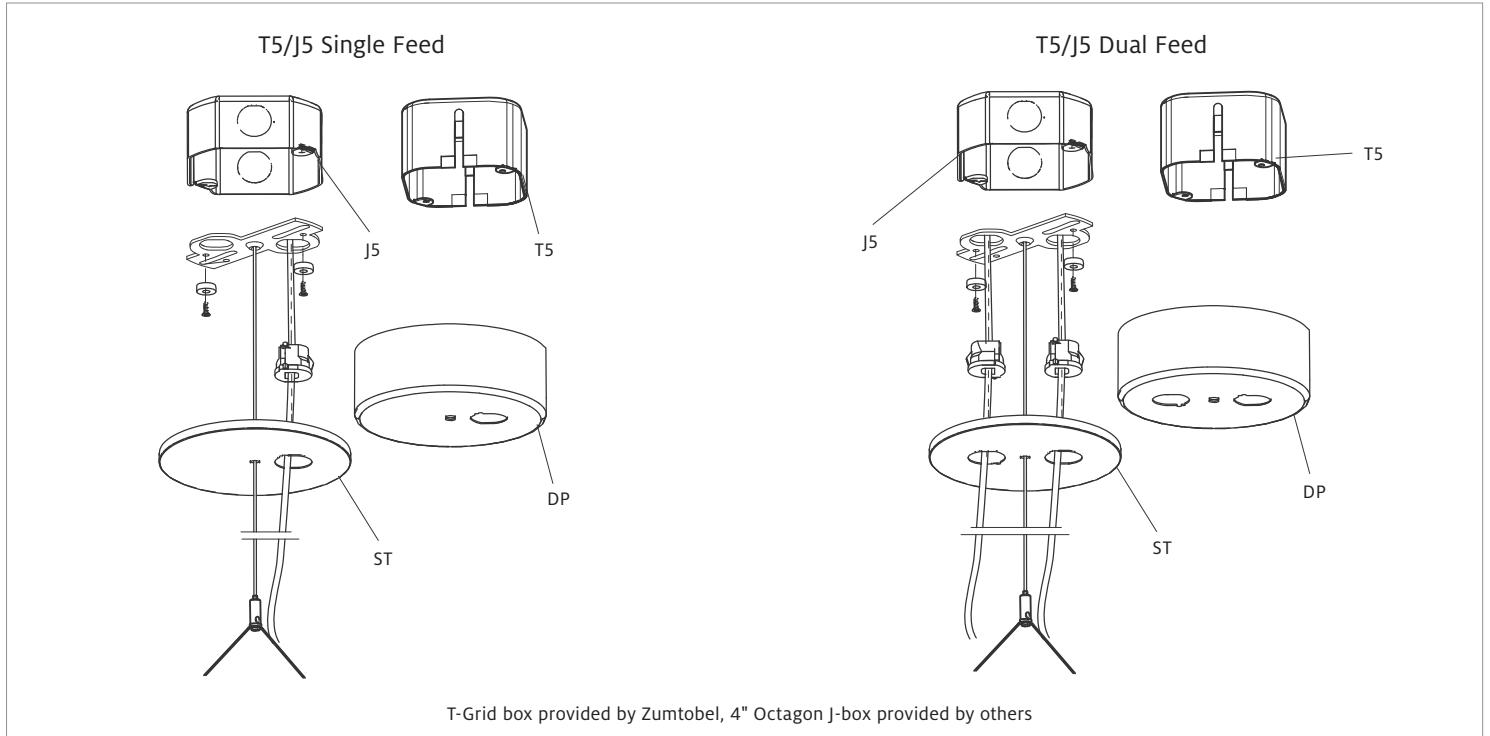
7) Emergency Battery Pack: Remote emergency battery packs are available for both T-Grid and Inaccessible ceiling types. Each pack will power a 4' section of a fixture, on an 8' individual fixture the EM can be placed at either the start or end of the luminaire.

8) Controls: Fixture is available with integral wireless controls.

9) Life: 50,000 hours, L90 @25C.

10) Weight: 7.71 lbs 4 ft fixture and 16.3 lbs 8' fixture.

Pendant Suspensions



We reserve the right to change, without notice, specifications or materials. Supporting documentation found on zumtobel.us are the most recent versions and supersede all other versions that exist in any other printed or electronic form.