



*MELLOW LIGHT IV Recessed*

DO NOT REMOVE THE LED ASSEMBLY. THIS WILL VOID THE WARRANTY. CALL ZUMTOBEL AT 1-800-448-4131 FOR QUESTIONS.

**RISK OF FIRE AND ELECTRICAL SHOCK**

Contact, improper installation, or improper servicing MAY RESULT IN DEATH OR SERIOUS INJURY! Fixture must be installed by a qualified electrician only. Fixture is intended for installation in accordance with the National Electrical Code, local and federal code specifications. Disconnect power at electrical panel before servicing. Retain these instructions for maintenance reference.

**ADVERTENCIA: RIESGO DE INCENDIO O IMPACTO ELÉCTRICO**

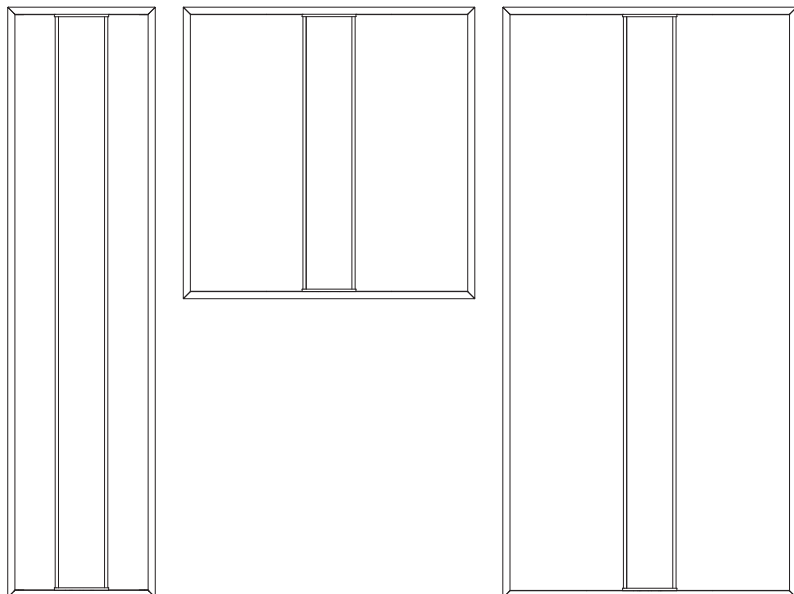
Conexión, instalación inapropiada o servicio incorrecto PUEDE CAUSAR MUERTE O HERIDAS GRAVES. La luminaria debe ser instalada únicamente por un eléctrico calificado. La luminaria debe instalarse de acuerdo al Norma eléctrica nacional, al igual que especificaciones locales y normas federales. Se debe desconectar la corriente eléctrica antes de realizar la mantención. Conservar estas instrucciones como referencia para futuras mantenciones.

**ATTENTION: RISQUE D'INCENDIE ET D'ELECTROCUTION**

Une installation, un entretien ou un contact physique non conforme pourraient mener à un DANGER DE MORT OU DE BLESSURE GRAVE! L'appareil doit être installé uniquement par un électricien professionnel qualifié. L'installation doit respecter le code électrique national de même que les lois locales et fédérales en vigueur. Veuillez fermer l'alimentation électrique au panneau principal avant tout entretien. Conserver ces instructions pour référence et tout entretien futur.

*Below instructions and images are valid for both 1'x4', 2'x2' and 2'x4' sized fixtures*

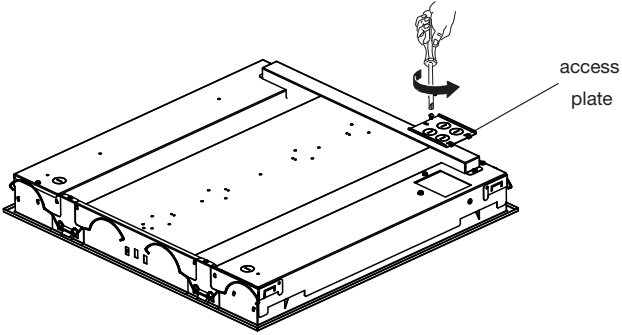
**Not included:** Junction box, whip flex, suction cups. Suction cups may be ordered separately.



1'X4' 2'X2' 2'X4'

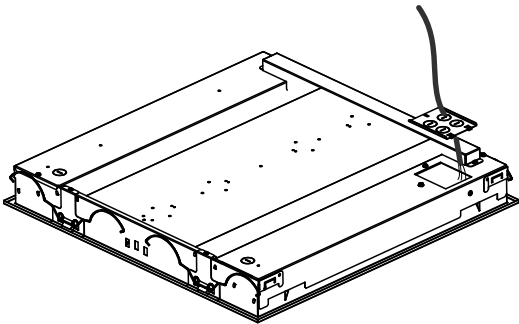
MELLOW LIGHT IV Recessed

DO NOT REMOVE THE LED ASSEMBLY. THIS WILL VOID THE WARRANTY. CALL ZUMTOBEL AT 1-800-448-4131 FOR QUESTIONS.

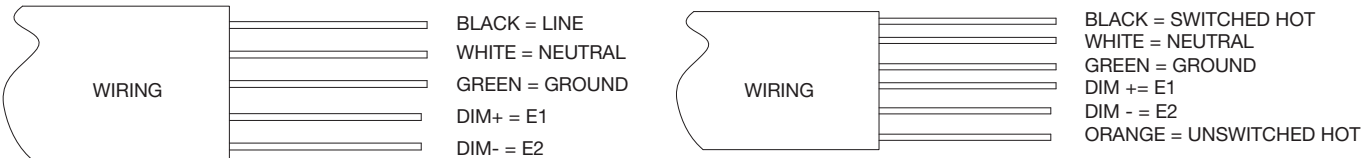


**1 Unpack Fixture** Fixture shipped fully-assembled. Handle fixture by sheet metal sides only. Do not handle acrylic panels or diffuser assembly during installation.

**2 Remove Access Plate** from top of housing. Remove # 6 screw from access plate, and lift access plate from slot.



**3 Connect Conduit** through knockout in access plate 3/8" (7/8" diameter). (Flexible conduit or cable accessories by others.)

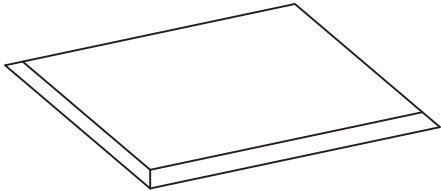


**4 Make Electrical Connections** through access plate. For standard installation, see left figure, For EM installation, see right figure. Reinstall access plate in housing. Make sure wires do not get caught between plate and housing. Tighten screw. Replace adjacent ceiling tile.

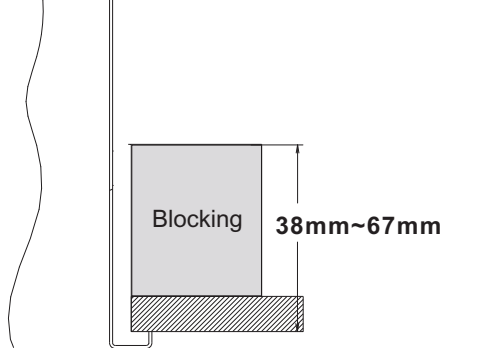
MELLOW LIGHT IV Recessed

DO NOT REMOVE THE LED ASSEMBLY. THIS WILL VOID THE WARRANTY. CALL ZUMTOBEL AT 1-800-448-4131 FOR QUESTIONS.

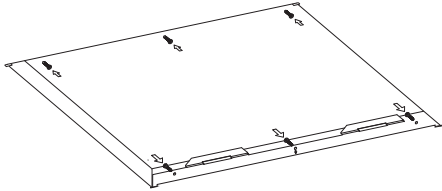
RECESSED SHEETROCK( INACCESSIBLE / CONCEALED) CEILING



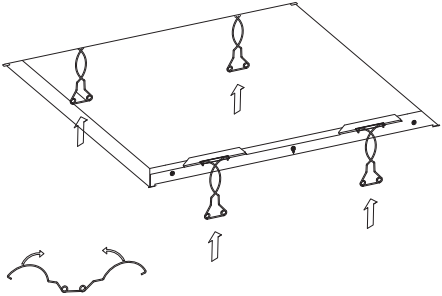
① Make cutout from the sheet rock. Cutout dimension:  
 2X2Ft: 594±6mmX594±6mm  
 2X4Ft: 1203±6mmX594mm±6mm  
 1X4Ft: 1203±6mmX294mm±6mm



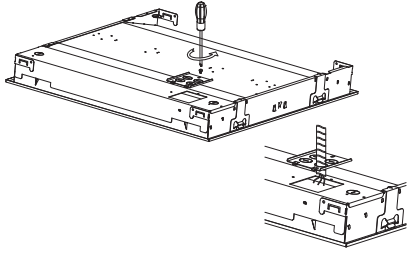
② Make blocking 38-67mm height with sheet rock together. Ensure they are in the same vertical plane.



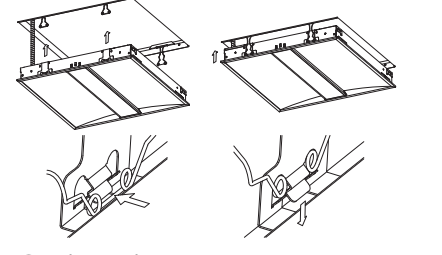
③ Unpack the spring box, take brackets and screw onto the blocking. Make sure the 2 ends attached to sheet rock and the brackets located in the middle of cut out.



④ Pinch the torque spring and insert it into the slot of the brackets.



⑤ Connect conduit through knockout in access plate. Handle fixture by sheet metal sides only. Do not handle acrylic diffusers during installation.

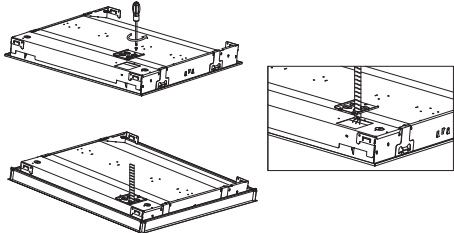


⑥ Place the torque spring into the clips on both sides, pull the light down to ensure it slides into the clips, push the light up cover the ends of the brackets and cut out.

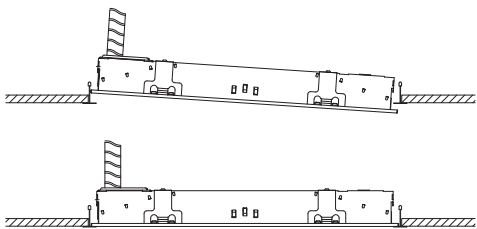
*MELLOW LIGHT IV Recessed*

DO NOT REMOVE THE LED ASSEMBLY. THIS WILL VOID THE WARRANTY. CALL ZUMTOBEL AT 1-800-448-4131 FOR QUESTIONS.

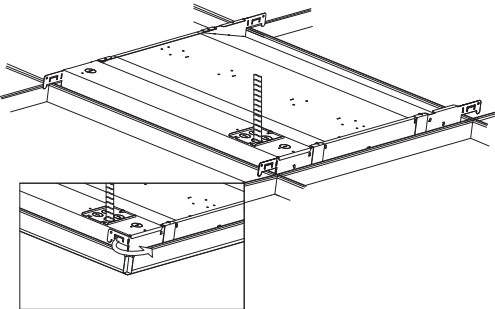
**RECESSED LAY-IN / SLOT GRID (ACCESSIBLE) CEILING**



① Connect conduit through knockout in access plate. Handle fixture by sheet metal sides only. Do not handle acrylic diffusers during installation or wiring.



② Sit the fixture into the T-bar. Secure to Ceiling Structure with safety wires. Additional security measures may be required as per local codes.



③ Turn the seismic hooks 4pcs in the ends 90 degrees and hang it onto the T-bar beam safely.