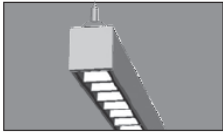


Installation Instructions – Individual

Refer to Spec Sheet FIF 1078



Important Preinstallation Note: 4" square junction box supplied by others. Canopies and suspensions are supplied, two per individual fixture. **Junction box should be installed regressed 3/16" into ceiling. Do not handle fixtures without gloves. READ ALL INSTRUCTIONS THOROUGHLY BEFORE ATTEMPTING INSTALLATION.**

LINCOR
Cable-Mounted
Individual Fixtures
Lutron remote mounting



DANGER

RISK OF FIRE AND ELECTRICAL SHOCK

Contact, improper installation, or improper servicing MAY RESULT IN DEATH OR SERIOUS INJURY!

Fixture must be installed by a qualified electrician only. Fixture is intended for installation in accordance with the National Electrical Code, local and federal code specifications. Disconnect power at electrical panel before servicing. Retain these instructions for maintenance reference.



Maintenance - Turn off power first!

1 Cleaning. Wipe with a lint-free, soft cloth. Try to avoid contact with the minicell louvers. Use a light burst of dry air for cleaning the minicell louvers if possible. **DO NOT** use glass cleaner or other solvents!

2 Access to driver. For integral drivers, carefully remove indirect lens. For remote drivers, access through remote mounting plate.

3 Replacement of LED boards. Call Zumtobel prior to accessing LED board at (800) 448-4131!



Lutron driver remote installation

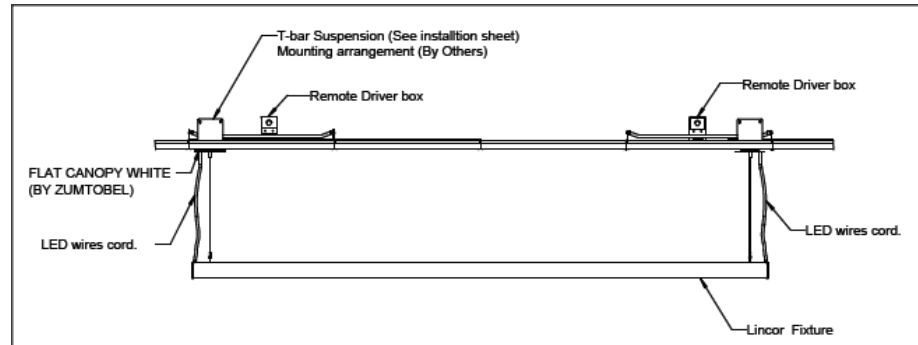
1. Installation of Lincor fixture with Lutron driver.

Lutron drivers are provided in separate driver box not inside fixture. This driver box should be install remotely In ceiling. Below pic shows example of 8' fixture in grid ceiling.

Qty of Driver Box/ fixture.

8' Fixture - 2

4' Fixture - 1



Zumtobel Lighting, Inc. ©2015

3300 Route 9W

Highland, NY 12528-2630 845-691-6262 • 800-448-4131 • zli.us@zumtobel.com

Part # D00442CI Date 02/04/15 Page 1

Questions? Problems? Call (800) 448-4131 and we will be happy to assist you. For technical specification sheets or other information about our products, please go to www.zumtobel.us

! DANGER

RISK OF FIRE AND ELECTRICAL SHOCK

Contact, improper installation, or improper servicing MAY RESULT IN DEATH OR SERIOUS INJURY!

Fixture must be installed by a qualified electrician only. Fixture is intended for installation in accordance with the National Electrical Code, local and federal code specifications. Disconnect power at electrical panel before servicing. Retain these instructions for maintenance reference.

2. Inside driver box open power side cover plate to excess connection of driver.

Low voltage LED side

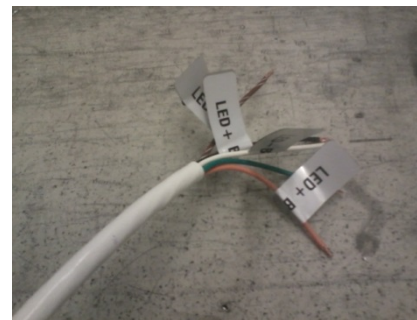
Cross bar bracket is for sheet rock application
Do not need it for grid ceiling.

Power Side



Power side wires	
BK	Hot
WH	Neutral
GN	Ground
E1	Purple
E2	Grey

3. Cord attached to fixture is low voltage LED wire cord. Connect LED+ and LED- wires from cord to respective LED terminals on drivers.
4. Make necessary grounding connection from LED cord to box by available ground wire to led side inside box.
5. Installer must ensure all led wire connection and main power connection with necessary grounding to each driver boxes.



LED wires from cord	
BK	LED +
WH	LED -
OR	LED +
BR	LED -
GN	Ground

Questions? Problems? Call (800) 448-4131 and we will be happy to assist you. For technical specification sheets or other information about our products, please go to www.zumtobel.us



DANGER

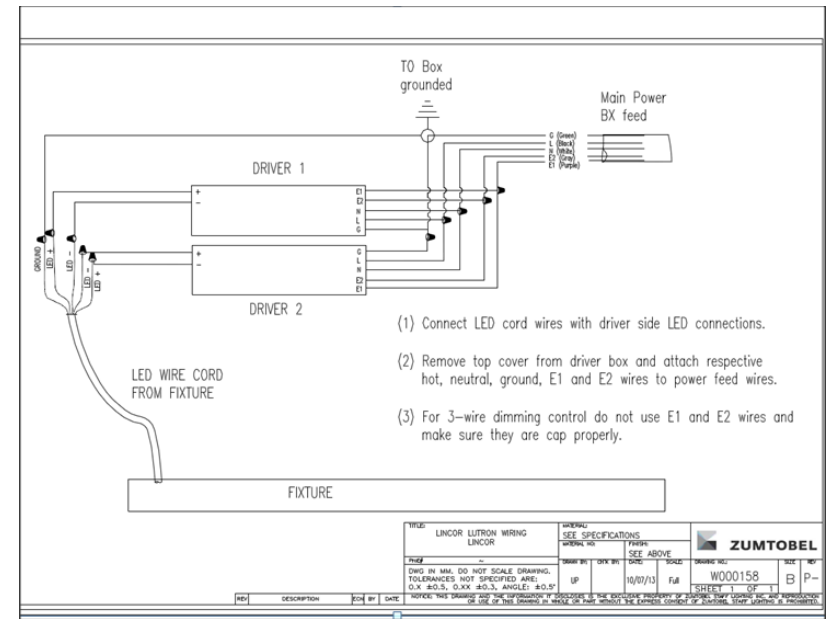
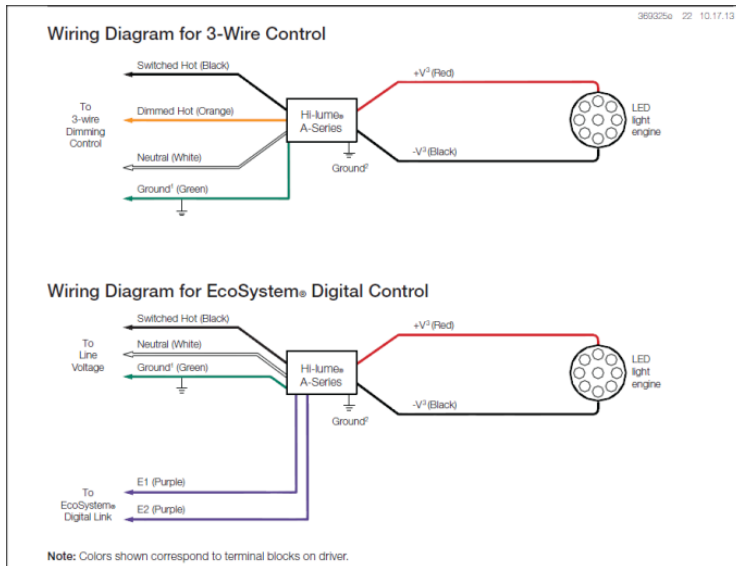
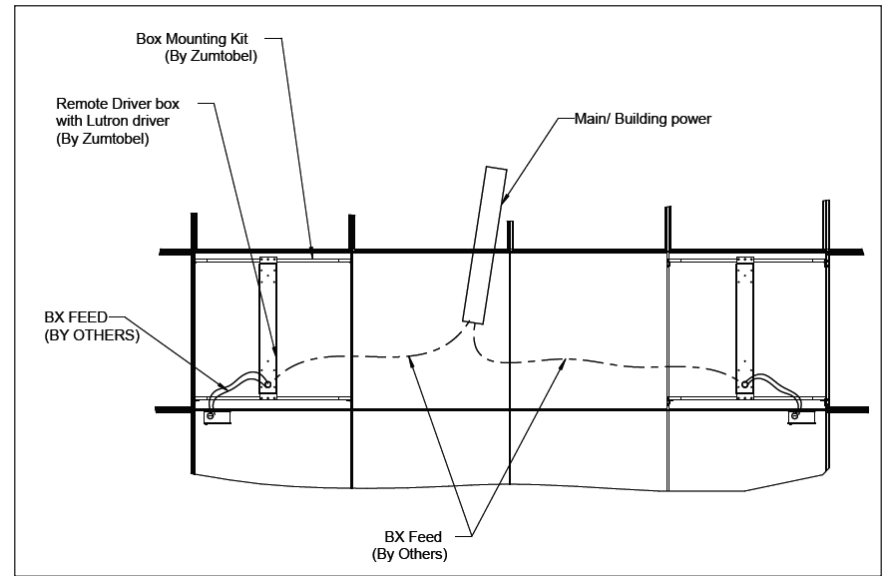


RISK OF FIRE AND ELECTRICAL SHOCK

Contact, improper installation, or improper servicing MAY RESULT IN DEATH OR SERIOUS INJURY!

Fixture must be installed by a qualified electrician only. Fixture is intended for installation in accordance with the National Electrical Code, local and federal code specifications. Disconnect power at electrical panel before servicing. Retain these instructions for maintenance reference.

- Bring building power to each driver box. Attach BX feeds (By Others) through KO provided on box. Make connections and then put cover plate back on power side.
- Make necessary grounding connection from cord to box and from main power feed to box.
- See pictures. Wiring diagram shows typical wiring for one driver box. Similar way connect all driver boxes.
- Fixture is always wired as E1 & E2 from factory not as 3 wire control see below. Check dimmer control device compatibility for different dimming.



Questions? Problems? Call (800) 448-4131 and we will be happy to assist you. For technical specification sheets or other information about our products, please go to www.zumtobel.us



DANGER



RISK OF FIRE AND ELECTRICAL SHOCK

Contact, improper installation, or improper servicing MAY RESULT IN DEATH OR SERIOUS INJURY!

Fixture must be installed by a qualified electrician only. Fixture is intended for installation in accordance with the National Electrical Code, local and federal code specifications. Disconnect power at electrical panel before servicing. Retain these instructions for maintenance reference.

9. Driver box mounting kit is provided to mount box to grid ceiling.
10. Attach driver box to bars with help of mountings clips and screws. After that Fix bar to Tee of grid ceiling as shown here.
11. Secure driver box to ceiling structure with help of side bracket attached to driver box.

