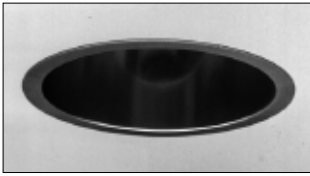


SPEC-5

Horizontal Compact Fluorescent (2) 13W, 18W or 26W Quad Tube

Open Recessed Downlight and Wallwasher

7"



Applications: This fixture offers excellent brightness control in a 7" aperture. Suitable for use in offices, stores and lobbies, this recessed downlight has a low profile that allows it to be used in shallow plenum areas. Available in three wattages with a standard electronic ballast.

ZOOM! 2-week delivery on items shown in gray

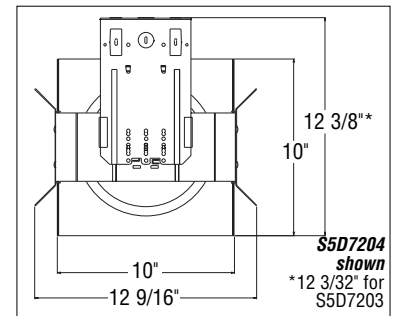
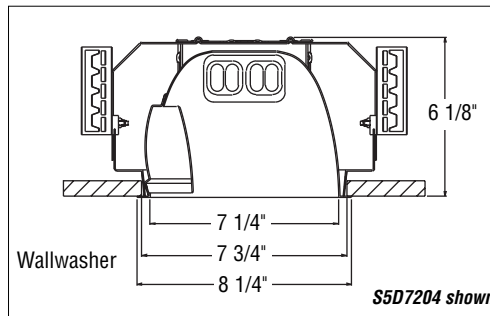
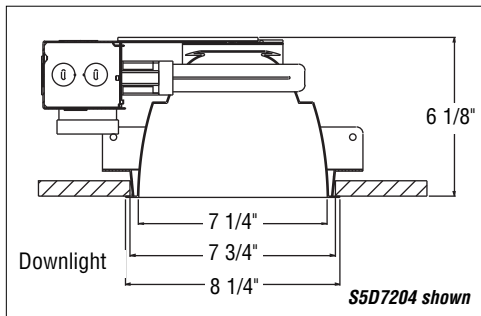
online Find it Fast **121**

Type: _____

Project: _____

ORDERING NOTE: Complete unit consists of rough-in and trim section. Indicate ballast/voltage and desired options.

▼ Rough-In	▼ Ballast/Voltage	▼ Trim	▼ Trim Finish	▼ Options
S5D _____	_____	7202 _____	_____	_____
S5D7202 (2) 13W Quad Tube	U 120/277v S3 347v	7202R Downlight Reflector	C Clear Specular Reflector	F Fusing
S5D7203 (2) 18W Quad Tube	D1 Dimming 120v*	7202W Wallwasher Reflector	MC Matte Clear Alzak® Reflector	W White painted reflector flange
S5D7204 (2) 26W Quad Tube	D2 Dimming 277v*	7202K Corner Wallwasher	MG Matte Champagne Gold Alzak® Reflector	9930 Set of two 27" C-channel mounting bars
	*Not available on 13W.	7202D Double Wallwasher	MP Matte Pewter Alzak® Reflector	9952 Set of two 52" C-channel mounting bars
			MS Matte Straw Alzak® Reflector	9956 Set of two 28" 10 ga. one piece universal mounting bars
			MW Matte Wheat Alzak® Reflector	E4 Stand-by Battery Pack 120/277v
			(for colors of specular reflectors consult factory)	Deco Trims (See p. S5-20 for options) (for downlight only).
			NOTE: Add "E" to end of reflector description for stand-by fixture.	



(Ceiling Opening = 7 3/4")

UL LISTED
Suitable for damp locations
Fixtures with stand-by battery packs are rated for dry locations only
Approved for thru-wiring
Above ceiling access not required
Thermally protected

IBEW Union Made

Alzak® is a registered trademark of the Aluminum Company of America.

1. Yoke Assembly - 16 gauge steel yoke assembly is corrosion protected and fixed to the mounting pan.

2. Plaster Frame - 18 gauge galvanized, die-formed plaster frame has a fixed throat depth of 1".

3. Mounting Bracket - Adjustable butterfly mounting brackets allow for a vertical adjustment of 2" and accept one piece universal or C-channel mounting bars (ordered as an optional accessory).

4. Splice Compartment - 18 gauge galvanized splice compartment is U.L. listed for thru-wiring (4 in and 4 out at 90°C) and has 7/8" knock-outs. Ground wire is supplied. Splice compartment assembly is accessible from below ceiling and is attached to the yoke assembly by contractor.

5. Stand-by Battery Pack - IOTA I-42, mounted on splice compartment cover. An integral test light/switch, supplied, is accessible and visible through reflector aperture. Operates on 120v or 277v, 60 Hz only.

6. Reflector - One piece spun aluminum reflector with 1/2" flat flange with low iridescence, specular clad finish. Matte clear, champagne gold, pewter, straw and wheat Alzak® finishes are available. A white painted reflector flange is also available. The reflector is secured to the yoke assembly by a center screw.

7. Wallwasher Reflector - A hydroformed aluminum kicker plate is mounted to the main reflector and is available in three specific configurations for wall illumination. Wallwasher reflector mounts in a fixed orientation.

8. Lamps/sockets - Two 13W, 18W or 26W quad tube compact fluorescent lamps with a G24q-1 (13W) G24q-2 (18W) or a G24q-3 (26W) socket. Lamps supplied by others.

9. Ballast - One (2) lamp, thermally protected Class P electronic

ballast is supplied. Dimming ballast is Lutron Compact SE (5%).

10. Weight - Housing - 4.6 lbs; Trim - 0.7 lbs.

NOTE: National or municipal codes must be followed regarding set back of thermal insulating material from fixture. As a guideline, any insulation materials must be held away from the fixture by a minimum of 3".
Fixtures are not designed for direct contact with thermal insulation.

In a continuing effort to offer the best product possible we reserve the right to change, without notice, specifications or materials that in our opinion will not alter the function of the product. Technical specification sheets that appear on www.zumtobelstaffusa.com are the most recent version and supersede all other versions that exist in any other printed or electronic form.

Zumtobel Lighting Inc. ©2007
3300 Route 9W • Highland, NY 12528-2630
www.zumtobel.us
TEL (845) 691-6262 • (800) 932-0633 • FAX (845) 691-6289
10/25/07

S5-9

ZUMTOBEL

Photometric Data

S5D7204 7202RC (2) 26W CFQ

7" DOWNLIGHT, SPECULAR REFLECTOR

LTL 02701

Total Luminaire Efficiency 64%

0% Uplight 100% Downlight

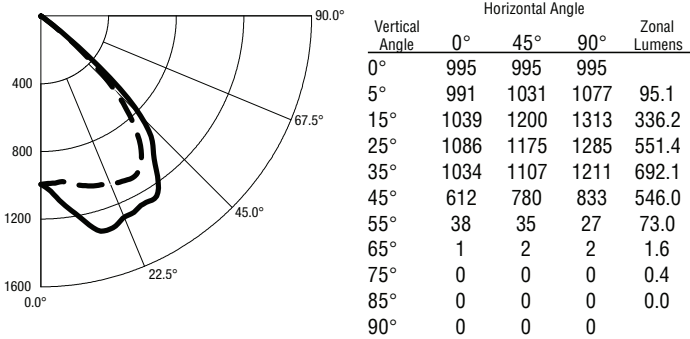
Spacing Criteria

Lateral Plane 0° 90°
1.5 1.6

TOTAL LAMP LUMENS = 3600

INPUT WATTS = 50

Candela Distribution



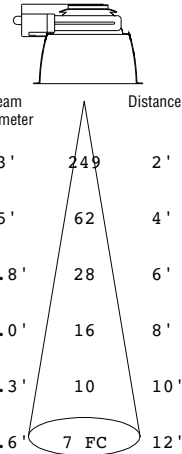
Luminance Data in Candela / Sq. Meter

Angle in Vertical°	Average 0°	Average 45°	Average 90°
45°	32949	41994	44847
55°	2522	2323	1792
65°	90	180	180
75°	0	0	0
85°	0	0	0

Coefficients of Utilization

Effective Floor Cavity Reflectance = 20%

pcc	0.8								0.7				0.5				0.3			
	pw	0.7	0.5	0.3	0.1	0.7	0.5	0.3	0.1	0.5	0.3	0.1	0.5	0.3	0.1	0.5	0.3	0.1		
0	77	77	77	77	77	75	75	75	75	71	71	71	68	68	68					
1	72	70	68	67	67	71	69	67	66	66	65	64	64	63	62					
2	68	64	61	59	59	66	63	60	58	61	59	57	59	57	55					
3	63	59	55	52	52	62	58	54	51	56	53	50	54	52	50					
4	59	53	49	46	46	58	53	49	46	51	48	45	50	47	45					
5	55	49	44	41	41	54	48	44	41	47	43	40	46	43	40					
6	52	45	40	37	37	51	44	40	37	43	39	36	42	39	36					
7	48	41	36	33	33	47	41	36	33	40	36	33	39	35	33					
8	45	38	33	30	30	44	37	33	30	37	33	30	36	32	30					
9	42	35	30	27	27	42	35	30	27	34	30	27	33	30	27					



Beam center footcandles shown in "cone of light" are initial, LLF = 1.0

Wallwash Lighting Data Chart

