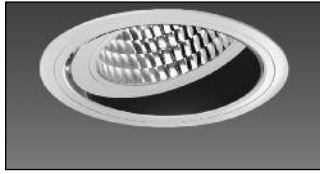


# PANOS S Low-Voltage Halogen (1) AR-111, 75W max.

## Open Recessed Pulldown 7"

online Find it Fast **110**



**Applications:** These special fixtures provide within the same housing a recessed downlight that can be field-adjusted to perform as an adjustable downlight or a pull-down accent. Perfect for retail, hospitality and high-end corporate lighting applications.

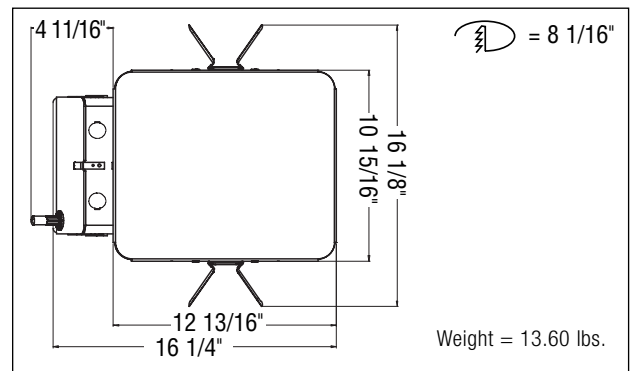
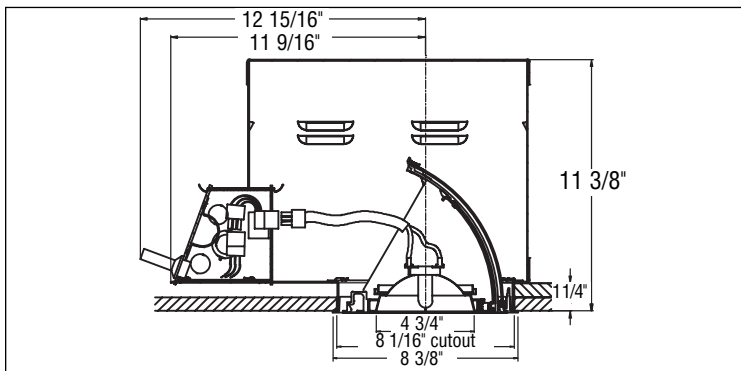
Type: \_\_\_\_\_  
Project: \_\_\_\_\_

**PANOS S may be ordered as a complete fixture (see below) or as separate components.**

### TO ORDER COMPLETE FIXTURE:

1. Choose frame-in kit. 2. Choose power module. 3. Choose trim. Include accessories and options, if applicable.

1. FRAME-IN KIT		2. POWER MODULE/SOCKET		3. TRIM			4. OPTIONS
▼ Housing/Aperture		▼ Lamp		▼ Trim Type		▼ Reflector Finish	
<b>CHD7</b>		<b>100AR111L8</b>		<b>PD7800</b>		<b>SA</b>	
CHD7 7" Covered Housing Deep		100AR111L8 (1) AR-111, 75W max.		PD7800 Open Pulldown		▼ Trim Ring Finish	
		1 120V 2 277V				T Titan W White	
						9930 Set of (2) 27" C-Channel mounting bars 9952 Set of (2) 52" C-Channel mounting bars 9954 Set of (2) 1-piece hanger bars w/ clips 9956 Set of (2) 28" 10-gauge, one-piece universal mounting bars	



**1. FRAME-IN KIT**  
*May be ordered separately, depending on your installation, or may be ordered with plug-in Power Module pre-installed.*

**Mounting Frame** - 16-gauge galvanized die-formed plaster frame suitable for accessible or inaccessible ceiling types. Rust-free aluminum aperture throat with a fixed depth of 1 1/4". Ceiling cutout: 8 1/16".

**Mounting Brackets** - Rigid mounting brackets provide 5" vertical adjustment from inside aperture and plenum side of housing. Built to accept numerous mounting options including C-Channel mounting bars.

**2. POWER MODULE**  
*Plug-in module may be ordered with Frame-in Kit, alone, or with trim, depending upon your installation.*

**Lamp/Socket** - (1) AR-111 halogen, 75W max., screw terminal base. Lamps supplied by others.

**Transformer/Wiring** - 120V or 277V 12V electronic mounted on plug-in internal cover plate of junction box. Special wiring connections allow plug-in of transformer and reflector in pre-installed housings.

**3. TRIM**  
*May be ordered separately, or with Power Module, or with Frame-in Kit and Power Module for a complete fixture.*

**Adjustable Head** - 7" aperture trim and 4 3/4" aperture lamp holder for horizontal and vertical aiming. Recessed adjustable with 45° or pull-down with 60° of aiming adjustability for accent lighting. Can function as standard downlight.

**Trim Ring** - Allows for installation of reflector and ease of maintenance from below the ceiling, and allows attachment of decorative accessories.

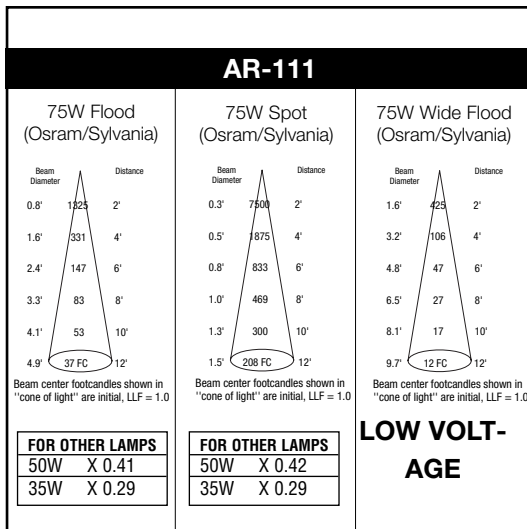
**UL LISTED**  
*Suitable for Damp Locations  
Approved for thru wiring  
Above ceiling access not required  
Thermally protected*

IBEW Union Made

**NOTE:** National or municipal codes must be followed regarding set back of thermal insulating material from fixture. **Fixtures are not designed for direct contact with thermal insulation.**

In a continuing effort to offer the best product possible we reserve the right to change, without notice, specifications or materials. Technical specification sheets that appear on [www.zumtobel.us](http://www.zumtobel.us) are the most recent version and supersede all other versions that exist in any other printed or electronic form.

# Photometric Data



*The beam spreads shown are typical and not intended to represent all cases. The actual performance of these fixtures with reflectorized lamps depends on the lamp manufacturer's data and may vary depending on the manufacturer. If published photometric data is desired, please contact the individual lamp manufacturer directly.*